
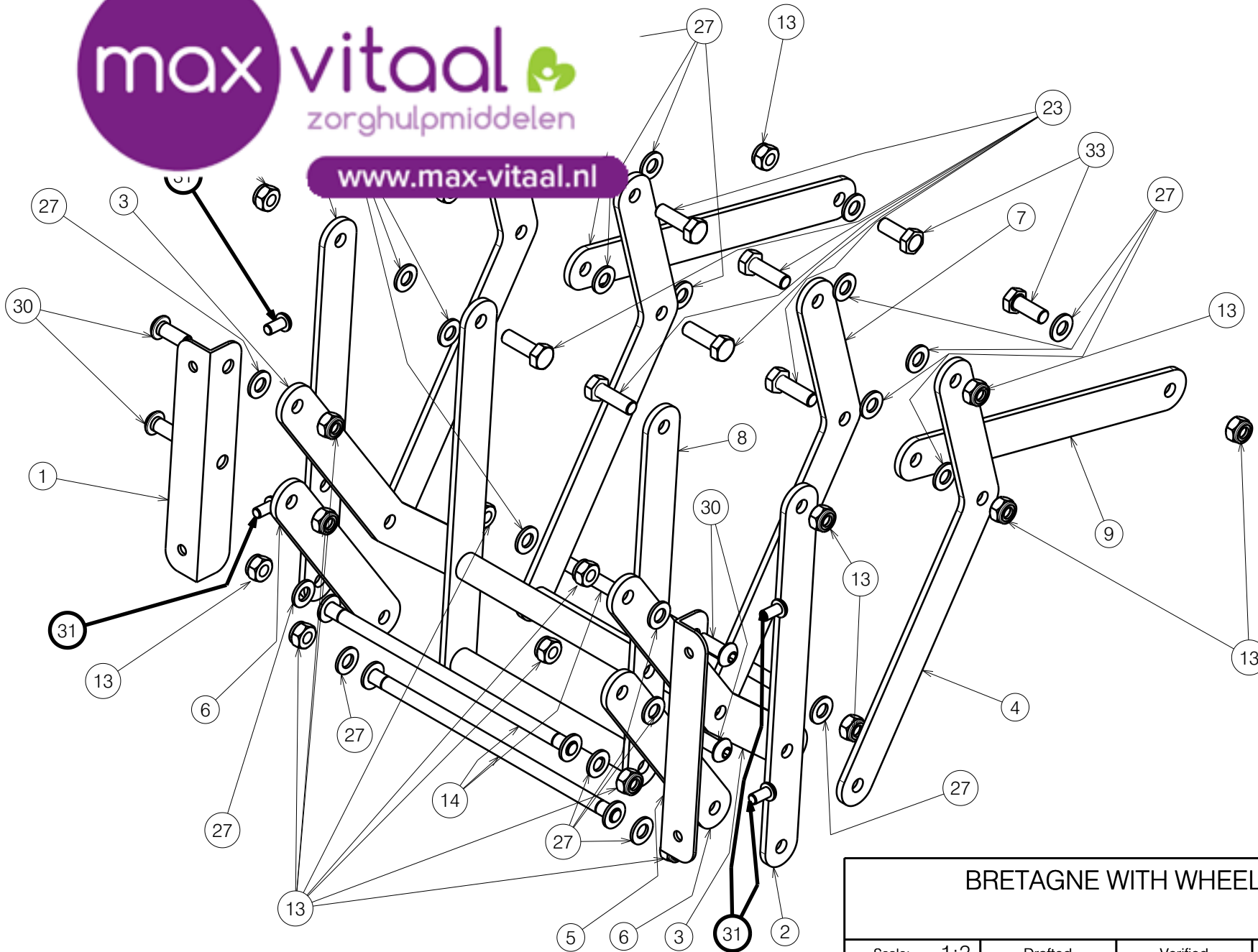



EP00463 / C

BRETAGNE WITH WHEELS				Plan No.
Scale: 1:10	Drafted	Verified	Confirmed	1/3 EP00463 / C
Date	22/10/2019	31/03/2020	31/03/2020	
Initials	PM	AZ	TK	



EP00463 / C

BRETAGNE WITH WHEELS				Plan No.
				2/3 EP00463 / C
Scale: 1:3	Drafted	Verified	Confirmed	
Date	22/10/2019	31/03/2020	31/03/2020	
Initials	PM	AZ	TK	

Material			
No.			
1			
2			
3			
4			
5			
6			
7	YP00715		
8	YP00716	1825065	1
9	YP05712	2722165	2
10	YP07651	2776565	1
11	YP07101	2773965	4
12	YP07547 DP	2774065	1
13	Nut M8	1001682	19
14	X001862	1447500	3
15	X005930	1916350	4
16	XP01828	2993544	1
17	Armrest right	EP00465	1
18	Armrest left	EP00465	1
19	XP02824 (beech)	HP00620	1
	XP02826 (oxide)	HP00622	1
20	XP02825 (beech)	HP00621	1
	XP02827 (oxide)	HP00623	1




www.max-vitaal.nl

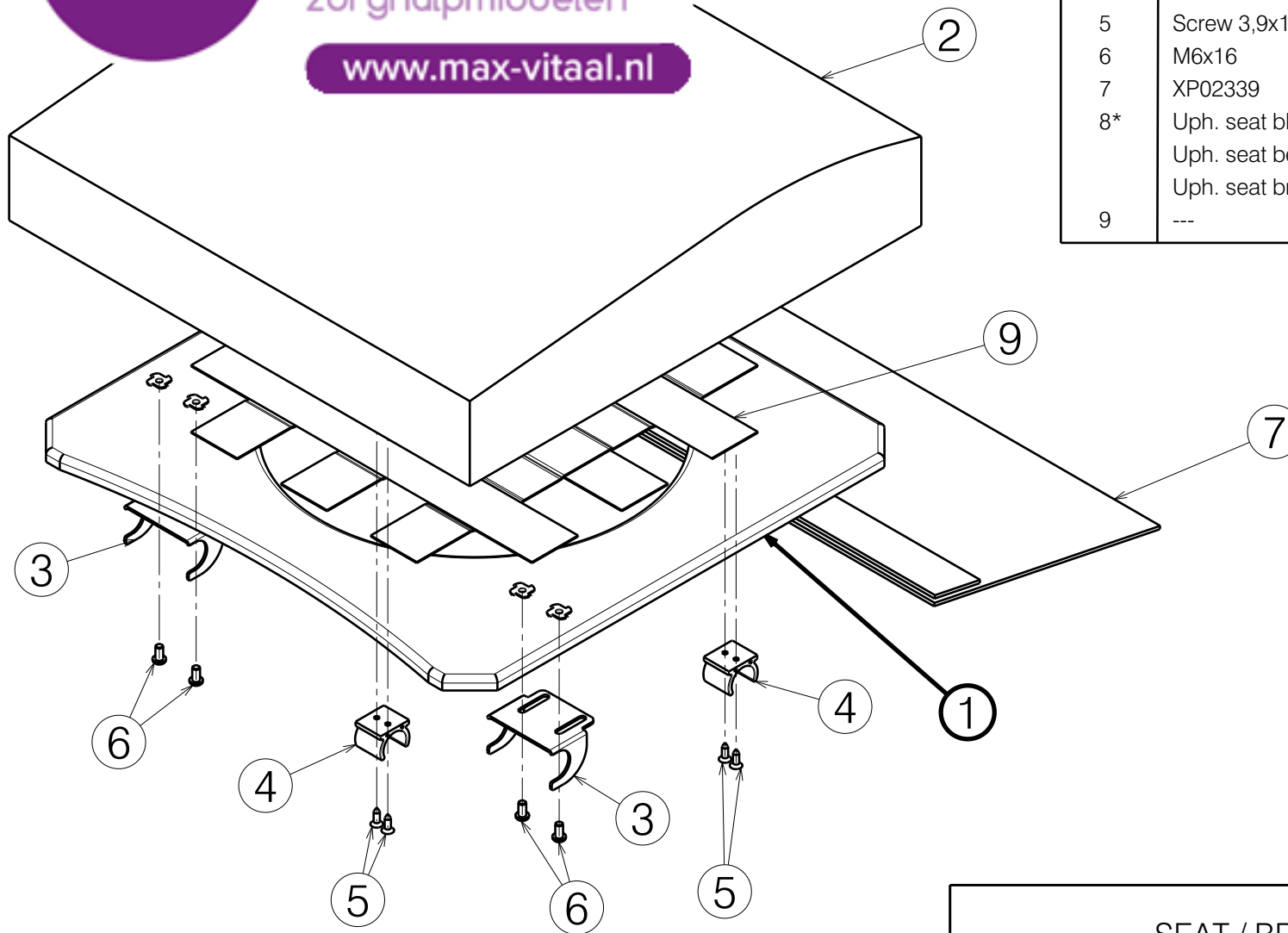
Material			
No.	Plan	Article	Quantity
21	XP02628	HP00572	1
22	XP02629	2994429	1
23	M8x25 DIN933	1001442	6
24	M6 DIN934	1001670	8
25	M10 DIN985	1001683	4
26	M8x60 DIN912	1997781	2
27	D8,4 DIN125	1003199	30
28	Seat	EP00464	1
29	M8x45 DIN 933	1005901	1
30	M8x20	1992349	4
31	M6x12	1007000	16
32	Wheel D100 Black	1916101	4
33	M8x20 DIN933	1009400	2
34	M6x16 DIN7991 Black	2994064	32
35	M6x40	1006111	4
36	YP00915	1836965	1
37	X000989	1004539	4
38	YP06345	2735365	1
39	Cap 30x30	1003198	1
40*	Uph. footrest black	2994665	1
	Uph. footrest beige	2994667	1
	Uph. footrest brown	2994670	1
41*	Uph.backrest black	2994668	1
	Uph.backrest beige	2994669	1
	Uph.backrest brown	2994671	1
42	XP02829 (beech)	HP00624	1
	XP02830 (oxide)	HP00625	1
43	YP06347	2736065	1
44	YP06348	2736165	1
45	Washer M6	1001564	4
46	M6x20 DIN 7991	1903081	4

*not depicted on drawing

EP00463 / C


BRETAGNE WITH WHEELS				Plan No.
				3/3 EP00463/ C
Scale:	Drafted	Verified	Confirmed	
Date	22/10/2019	31/03/2020	31/03/2020	
Initials	PM	AZ	TK	

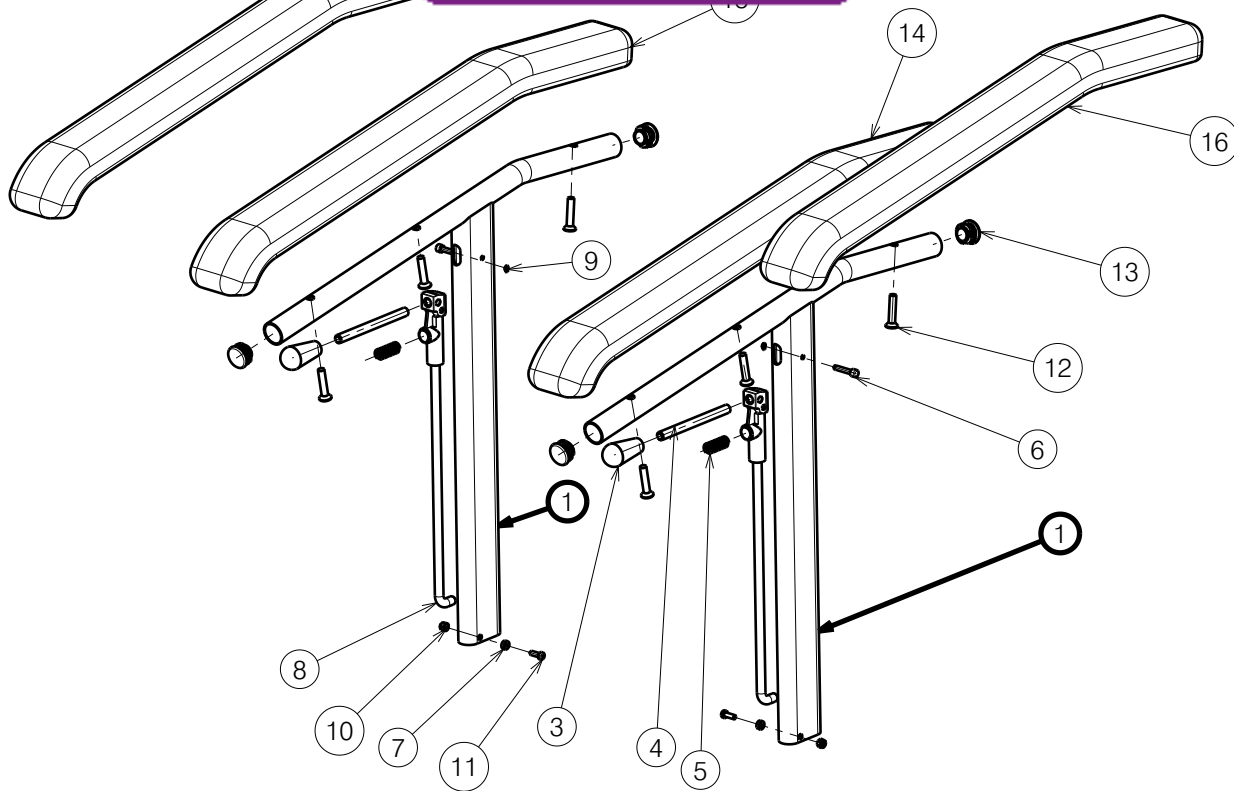
Material			
No.	Plan	Article	Quantity
1	XP01825	HP00264	1
2	XP01826	2993542	1
3	YP07227	2760665	2
4	XP00106	2990072	2
5	Screw 3,9x1,6	1005767	4
6	M6x16	1007000	4
7	XP02339	2996481	1
8*	Uph. seat black	2994672	1
	Uph. seat beige	2994673	1
	Uph. seat brown	2994674	1
9	---	1998461	1,6[m]



*not depicted

EP00464 / C

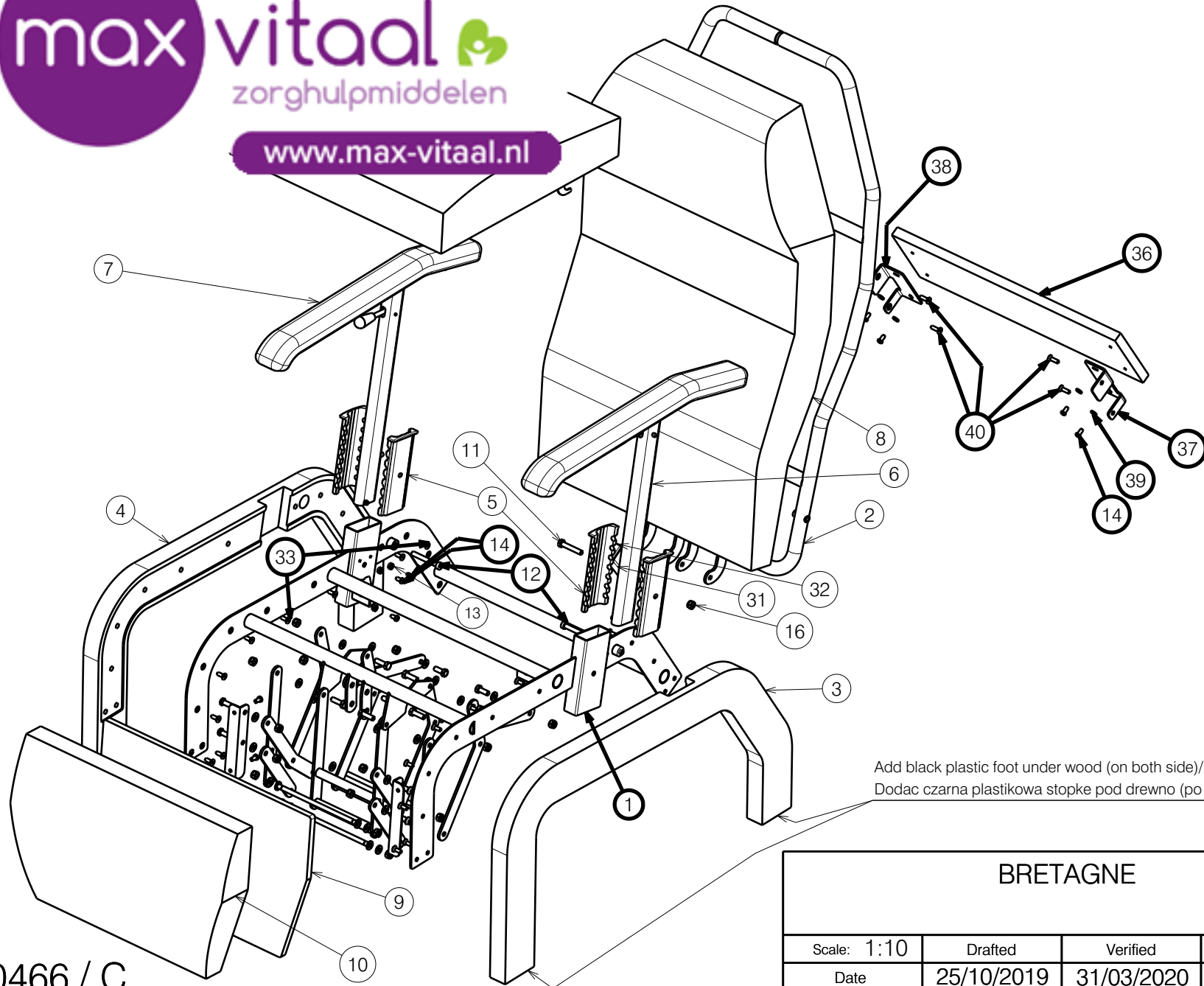
SEAT / BRETAGNE				Plan No.
				EP00464 / C
Scale: 1:5	Drafted	Verified	Confirmed	
Date	23/10/2019	20/08/2020	20/08/2020	
Initials	PM	AZ	TK	



Material			
No.	Plan	Article	Quantity
1	Y015294	1714801	2
2	---	---	---
3	X001471	1001143	2
4	XP00176	1824100	2
5	XC00423	3991837	2
6	XP00180	1824500	2
7	XP00192	1826100	2
8	XP00208	2990139	2
9	XP00297	2990125	2
10	Nut M4	1001678	2
11	M4x12	1900952	2
12	M6x30 DIN966/4.8	1007954	4
13	Tube cap	1990648	4
14	XP00177	2990116	1
15	XP00178	2990117	1
16	Uph. left arm black	2994675	1
	Uph. left arm beige	2994676	1
	Uph. left arm brown	2994677	1
17	Uph. right arm black	2994678	1
	Uph. right arm beige	2994679	1
	Uph. right arm brown	2994680	1


EP00465 / B

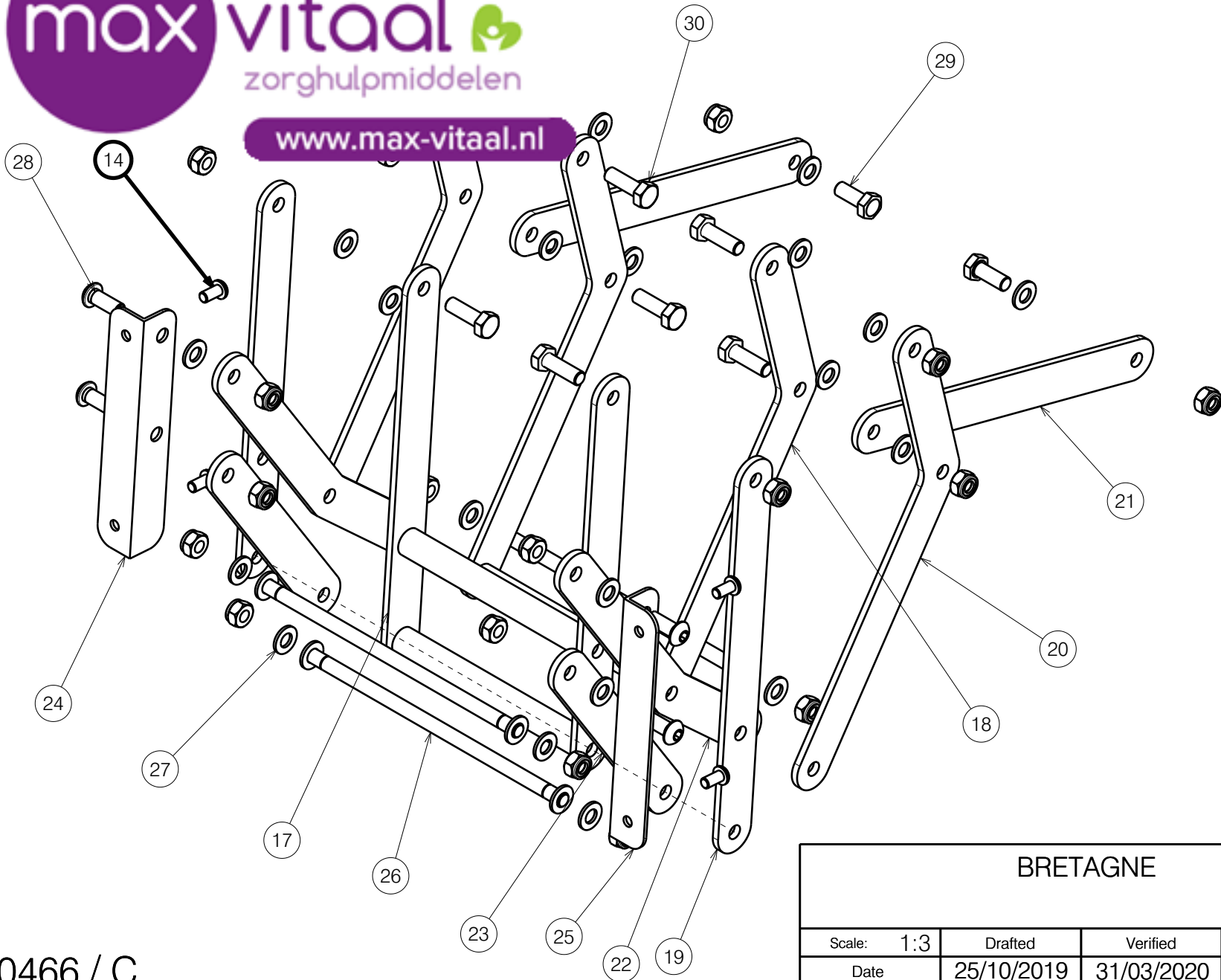
BRETAGNE ARMRESTS				Plan No.
				EP00465/ B
Scale: 1:7	Drafted	Verified	Confirmed	
Date	23/10/2019	28/01/2021	28/01/2021	
Initials	PM	AZ	TK	




Add black plastic foot under wood (on both side)/
 Dodac czarna plastikowa stopke pod drewno (po dwoch stronach)

EP00466 / C

BRETAGNE				Plan No.
Sheet 1/3				EP00466/ C
Scale: 1:10	Drafted	Verified	Confirmed	
Date	25/10/2019	31/03/2020	31/03/2020	
Initials	PM	AZ	TK	



EP00466 / C

BRETAGNE				Plan No.
Sheet 2/3				EP00466 / C
Scale: 1:3	Drafted	Verified	Confirmed	
Date	25/10/2019	31/03/2020	31/03/2020	
Initials	PM	AZ	TK	



www.max-vitaal.nl

Nr	Material	Article	Quantity
1		EP00464	1
2		1001682	19
3		1825065	1
4	XP02821 (beech)	1824965	1
	XP02823 (oxide)	1822465	2
5	X005930	1822265	2
6	Armrest left	2722165	2
7	Armrest right	1822365	2
8	XP01828	1822865	2
9	XP01824	1822565	1
10	XP01827	1822665	1
11	M8X45 DIN933	1447500	3
12	M8X60 DIN912	1003199	30
13	Nut M6 DIN934	1992349	4
14	M6X12 ISO7380	1009400	2
		1001442	4
		2735365	1
		1003198	1
		2994064	20
		2994665	1
		2994667	1
		2994670	1
		2994668	1
		2994669	1
		2994671	1

Material			
Nr	Plan	Article	Quantity
36	XP02829 (beech)	HP00624	1
	XP02830 (oxide)	HP00625	1
37	YP06347	2736065	1
38	YP06348	2736165	1
39	Washer M6	1001564	4
40	M6x20 DIN 7991	1903081	4

*not depicted on drawing

BRETAGNE

Plan No.

Sheet 3/3

EP00466 / C

Scale:	Drafted	Verified	Confirmed
Date	25/10/2019	31/03/2020	31/03/2020
Initials	PM	AZ	TK



EP00466 / C

Material			
No.	Plan	Article	Quantity
1	Y022180	2036601	1
2	YP07922 (Relax)	2611513	1
	YP07922 (Bretange)	2611565	1
3	M6x20	1006999	2
4	StarKnob M6x20	1001579	1

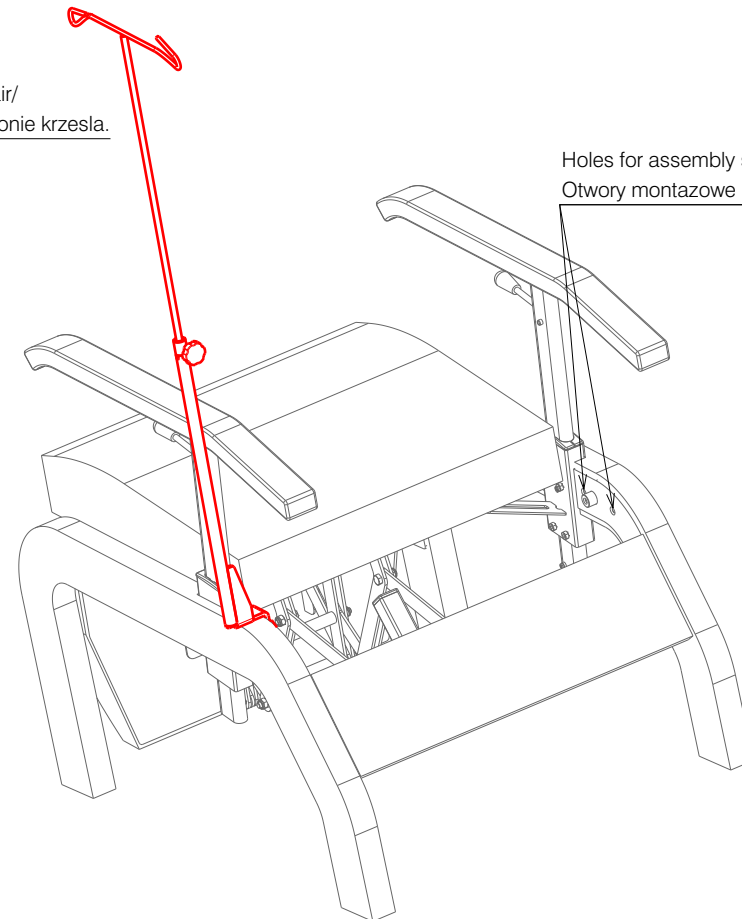
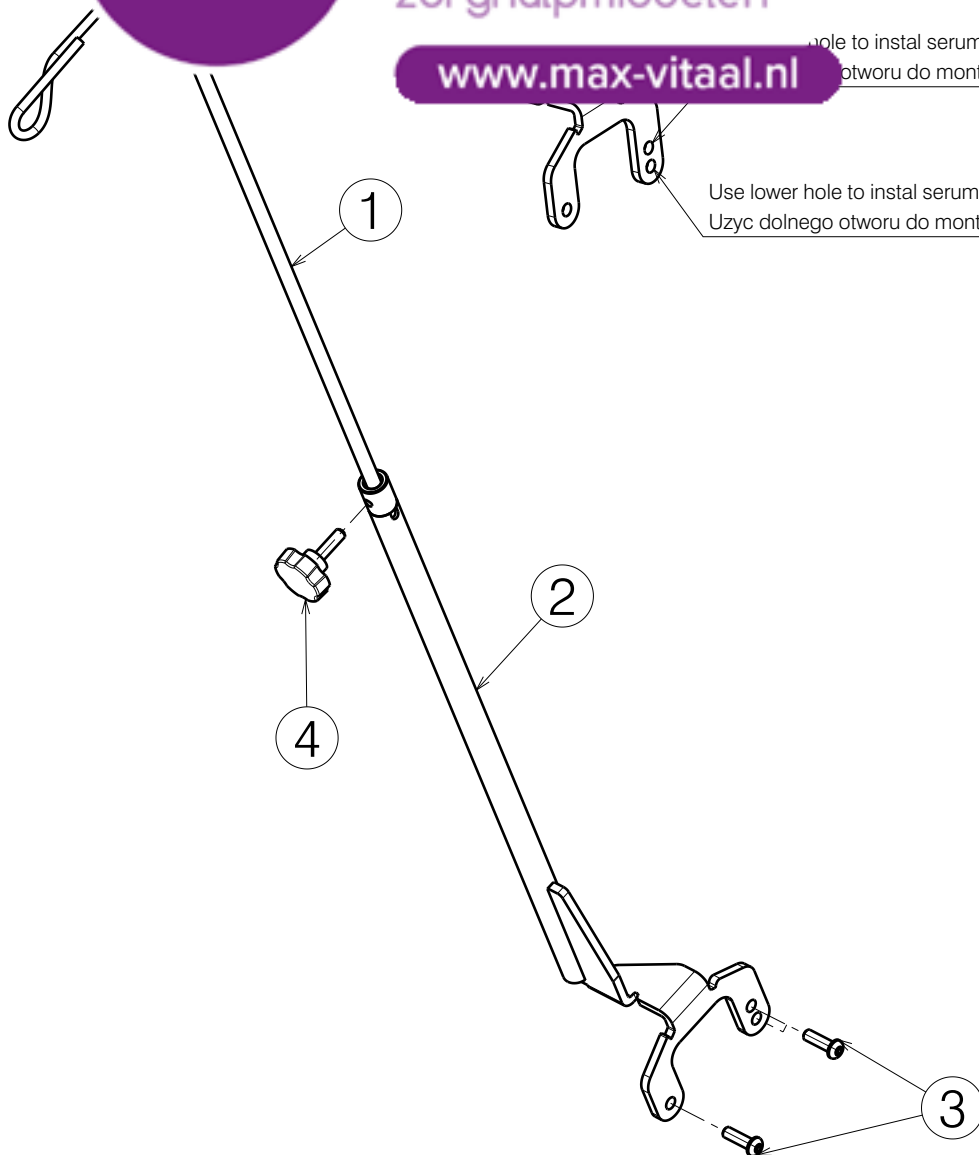
Use upper hole to instal serum holder on left side of chair/
Uzyc gornego otworu do montazu uchwyty po lewej stronie krzesla.

Use lower hole to instal serum holder on right side of chair/
Uzyc dolnego otworu do montazu uchwyty po prawej stronie krzesla.

Use lower hole to instal serum holder on right side of chair/
Uzyc dolnego otworu do montazu uchwyty po prawej stronie krzesla.

Use lower hole to instal serum holder on right side of chair/
Uzyc dolnego otworu do montazu uchwyty po prawej stronie krzesla.

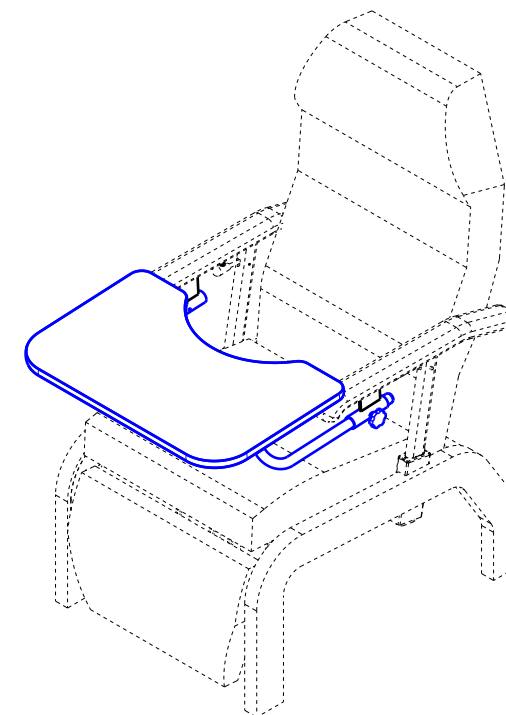
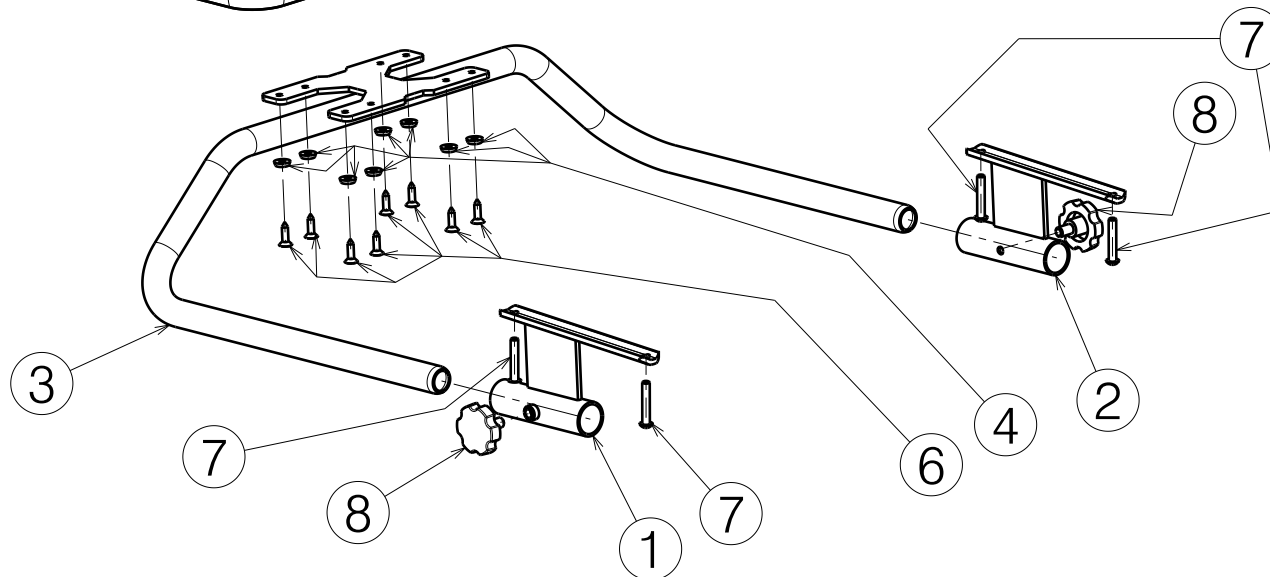
Holes for assembly serum holder/
Otwory montazowe uchwyty.



EP00514 / A

SERUM HOLDER KIT / BRETANGE / RELAX WITH WOODEN SIDES				Plan No.
				EP00514 / A
Scale: 1:4	Drafted	Verified	Confirmed	
Date	03/04/2020	03/04/2020	03/04/2020	
Initials	AZ	AZ	TK	

Material			
No.	Plan	Article	Quantity
1	Y012628	1671965	1
2	Y012629	1672065	1
3	YP08636	2624101	1
4	X001473	1002994	8
5	XP03141 (Beech)	HP00682	1
	XP03142 (Oxide)	HP00683	1
6	D4.8x19 DIN 7983	1001534	8
7	M6x35	1006057	4
8	Sterknop M8x12	1999934	2



EP00541 / A

TABLE FOR BRETANGE				Plan No.
				1/2 EP00541 / A
Scale: 1:6	Drafted	Verified	Confirmed	
Date	08/10/2020	23/10/2020	23/10/2020	
Initials	AZ	AZ	TK	

PRO

STOLIKA



www.max-vitaal.nl

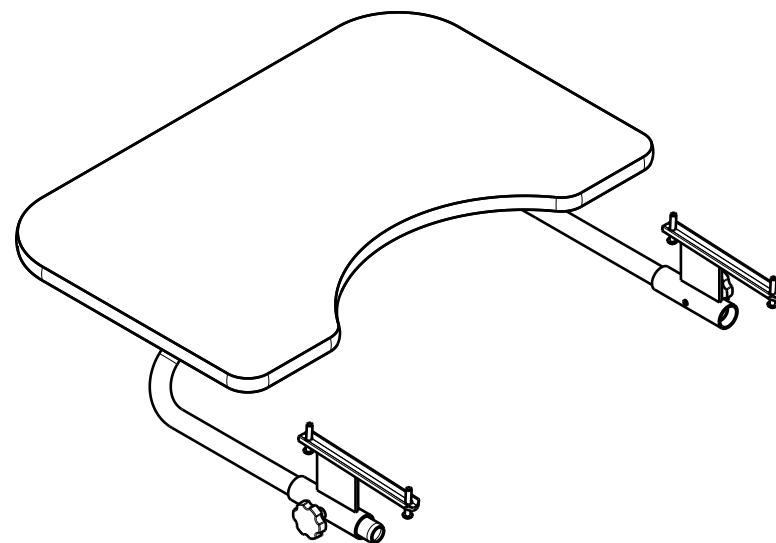
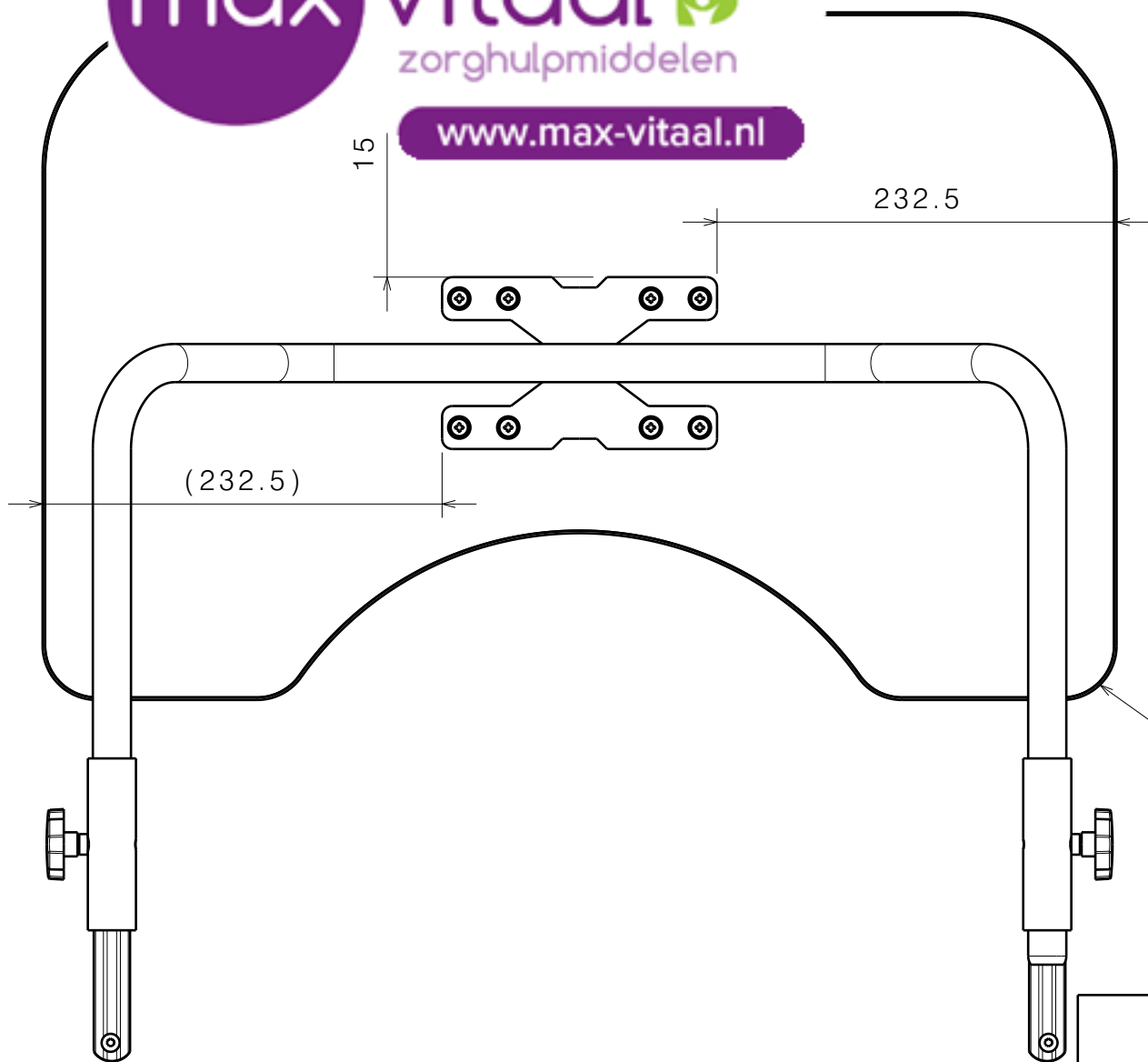
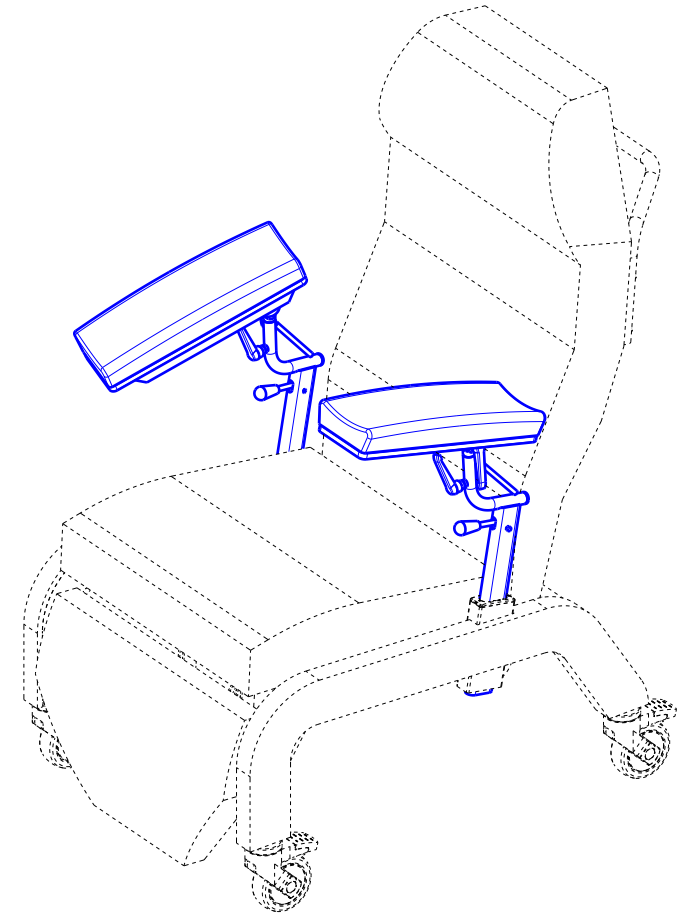
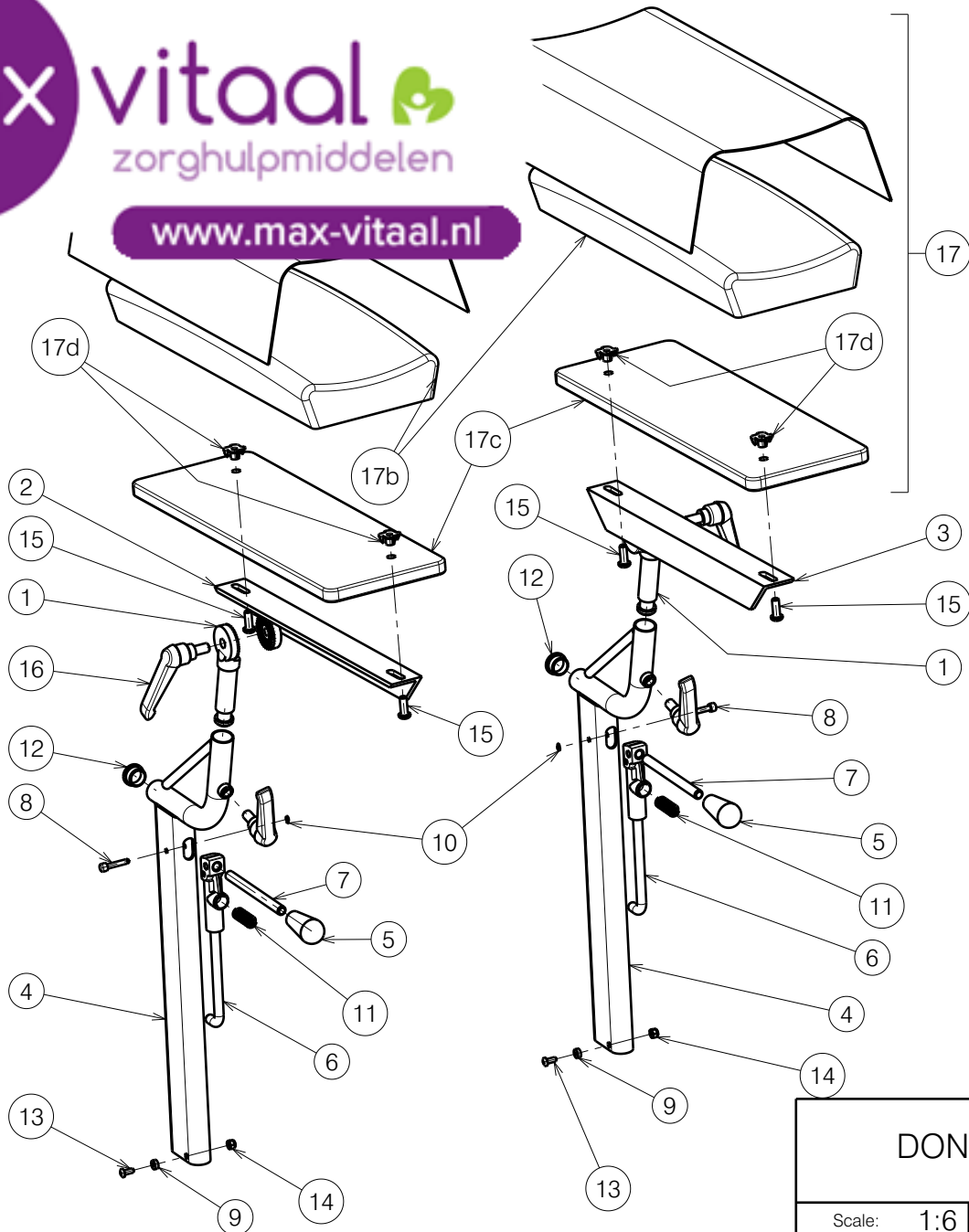


Table Top / Blat stolika

EP00541 / A


TABLE FOR BRETANGE				Plan No.
				2/2 EP00541 / A
Scale: 1:6	Drafted	Verified	Confirmed	
Date	08/10/2020	23/10/2020	23/10/2020	
Initials	AZ	AZ	TK	



EP00542 / A

Right / Prawy

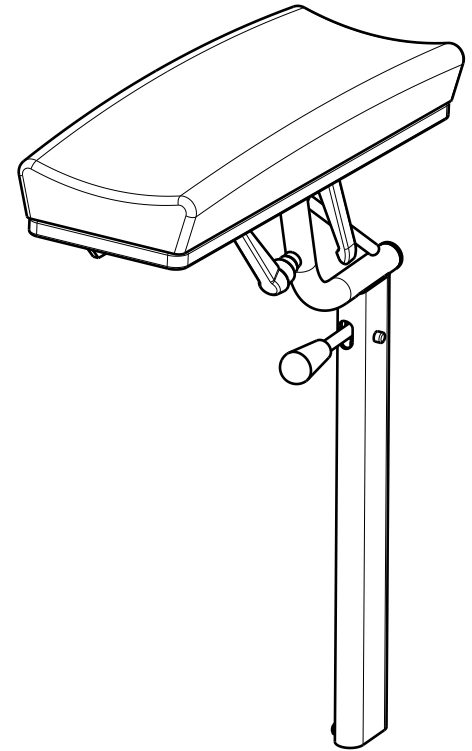
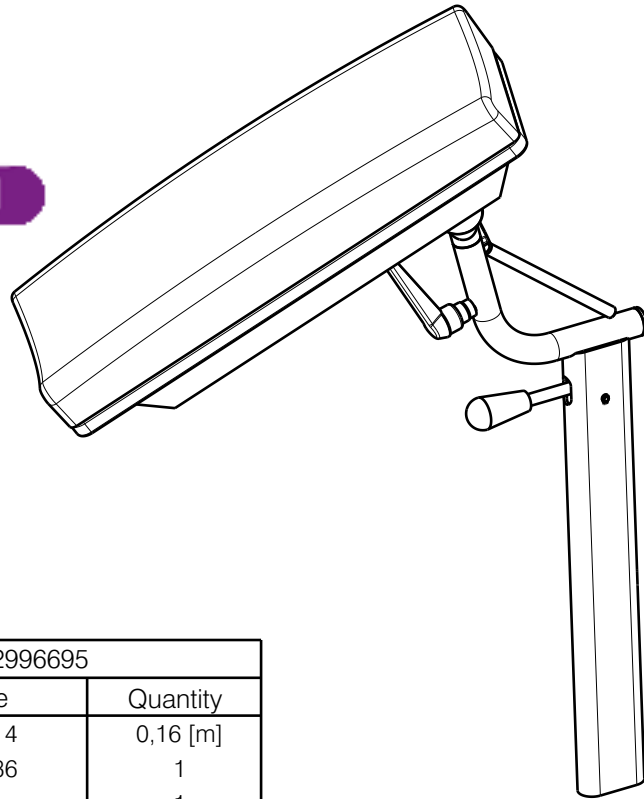
Left / Lewy

DONOR ARMREST FOR BRETANGE				Plan No.
				1/2 EP00542 / A
Scale: 1:6	Drafted	Verified	Confirmed	
Date	09/10/2020	09/10/2020	09/10/2020	
Initials	AZ	AZ	TK	

Material			
No.	Plan	Article	Quantity
1	Y0*		
2	Y		
3			
4			
5			
6	XC		
7	XP00		
8	XP00180	1826100	2
9	XP00192	2990125	2
10	XP00297	3991837	2
11	XC00423	1001602	2
12	Cap D19	1900952	2
13	M4x12 DIN 7985H	1001678	2
14	M4 DIN 985	1008459	4
15	M6x16	1904866	4
16	Handle M8x15	2996695	2
17	Armrest Pad (Black)	2996696	2
	Armrest Pad (Brown)	2996697	2
	Armrest Pad (Beige)		



www.max-vitaal.nl



Donor Armrest Pad Black: 2996695

No.	Plan	Article	Quantity
17a	Fabric (Black skai)	1907414	0,16 [m]
17b	X004435 (Foam)	1904736	1
17c	X004548(Wood)	H7618	1
17d	M6x10 (Insert)	1992516	2

Donor Armrest Pad Brown: 2996696

No.	Plan	Article	Quantity
17a	Fabric (Black skai)	1908048	0,16 [m]
17b	X004435 (Foam)	1904736	1
17c	X004548(Wood)	H7618	1
17d	M6x10 (Insert)	1992516	2

Donor Armrest Pad Beige: 2996697

No.	Plan	Article	Quantity
17a	Fabric (Black skai)	1908049	0,16 [m]
17b	X004435 (Foam)	1904736	1
17c	X004548(Wood)	H7618	1
17d	M6x10 (Insert)	1992516	2

EP00542 / A

DONOR ARMREST FOR BRETANGE				Plan No.
				2/2 EP00542/ A
Scale: 1:6	Drafted	Verified	Confirmed	
Date	09/10/2020	09/10/2020	09/10/2020	
Initials	AZ	AZ	TK	

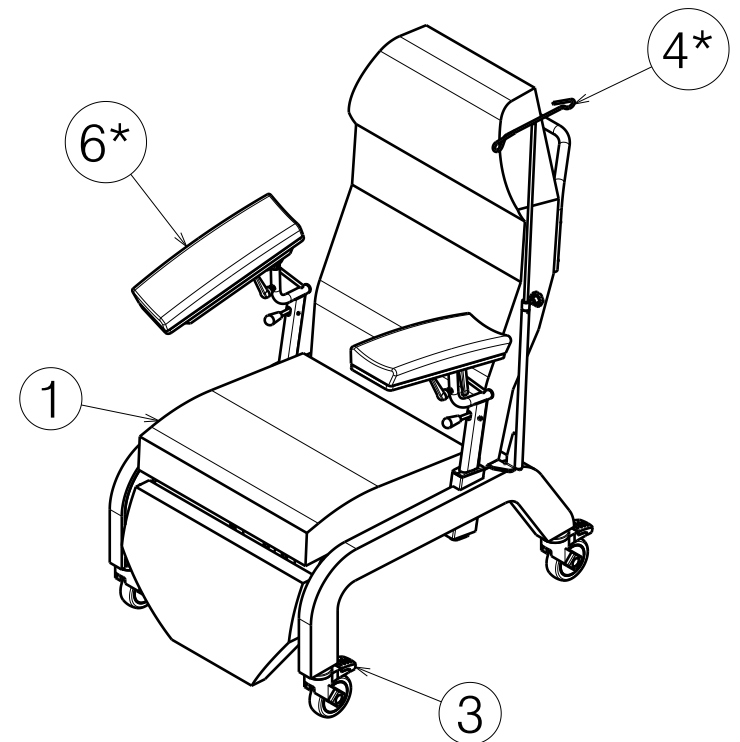
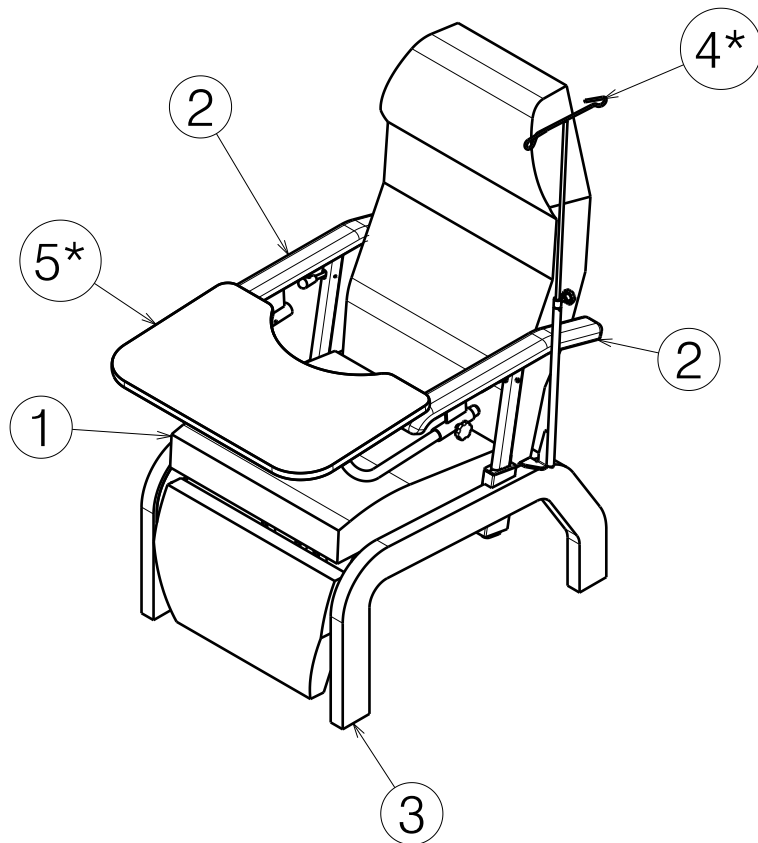


max vitaal
zorghulpmiddelen

www.max-vitaal.nl


Quantity
1
1

Bretange / With Wheels			
No.	Plan	Article	Quantity
1	EP00464	2994638	1
2	EP00465	2994639	1
3	EP00463	2994635	1
4*	EP00514	2994830	1
5*	EP00541	2994935	1
6*	EP00542	2994936	1



* - option / opcja

EP00543 / A

BRETANGE - SPECIFICATION				Plan No.
				EP00543/ A
Scale: 1:16	Drafted	Verified	Confirmed	
Date	09/10/2020	09/10/2020	09/10/2020	
Initials	AZ	AZ	TK	